

# Shelf Lighting System FlexiPower



Light the road to success



# VKF Renzel

VKF Renzel GmbH • Im Geer 15 • 46419 Isselburg • Germany • Phone: +49 (0) 28 74 / 910-180  
Fax: +49 (0) 28 74 / 910-111 • [www.vkf-renzel.com](http://www.vkf-renzel.com) • [sales@vkf-renzel.com](mailto:sales@vkf-renzel.com)

# Shelf Lighting System FlexiPower

LED strip [E]

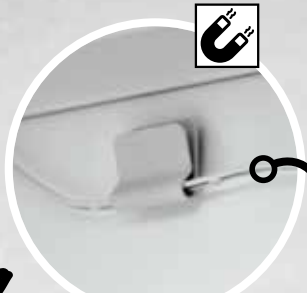


Junction box [B]



Power rail [A]





Cable holder [D]



Connecting cable [C]



Power supply [F]

## Set the stage for your products!

### Our clever FlexiPower magnetic system:

- Place the magnetic power rail [A] at the required place on the shelf

### For every type of shelf:

- The magnetic junction box [B] can be adjusted in height without interruption to the power supply

### Space and time saving:

- Dual use: the junction box [B] operates over 2 connections

### Always tidy:

- The connecting cable [C] can be positioned unnoticed against the shelf thanks to the magnetic cable holder [D]

### Super bright and energy saving:

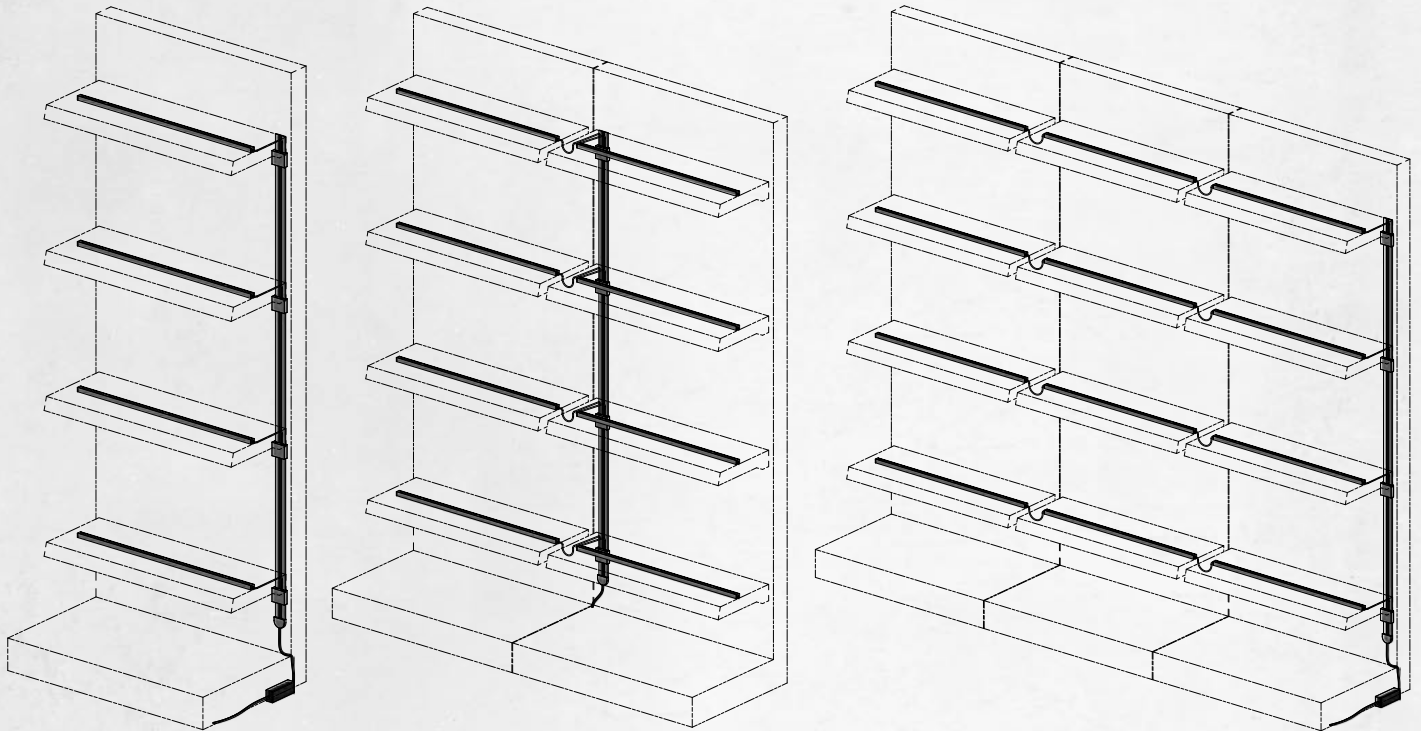
- Our LED strips [E] are efficient and durable as well as being available in different lengths and light colours

[A]	10.0512.15	[D]	10.0512.14
[B]	10.0512.16	[E]	10.0231.363
[C]	10.0512.26	[F]	10.0086.126



Other formats can be found at [www.vkf-renzel.com](http://www.vkf-renzel.com)!

## Example installation



FlexiPower Mini

10.0526.1

FlexiPower Midi

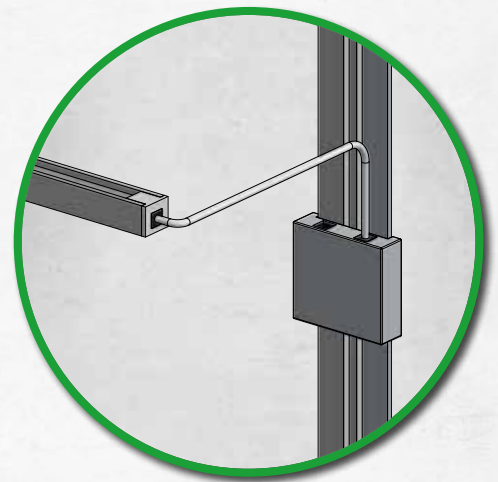
10.0526.2

FlexiPower Maxi

10.0526.3

## Advantages

- ✓ Easy to attach with magnets
- ✓ Residue free removal
- ✓ Customisable for different shelf types
- ✓ Casing and strip available in other colours
- ✓ Uses energy saving LEDs
- ✓ Modular, extendable system
- ✓ Use several LED strips in a row
- ✓ Polarity protection



Order online at [www.vkf-renzel.com](http://www.vkf-renzel.com)

